



## Prairie Point Valance

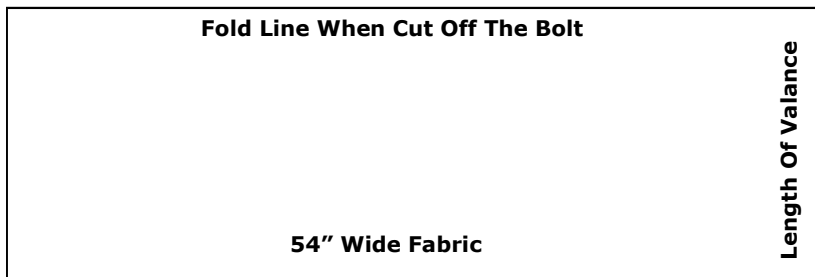
Complimentary Pattern © 2013 Angie Kowalsky  
Linen Flowers/Timeless Handwork  
Website: <http://linenflowers.com>

*Timeless Handwork*

**One Valance:**

**Size: Approx. 52" wide; Length is determined by fabric in the folded yard.**

**Materials: 54" wide piece of cotton fabric for valance, (13) 6 1/2" cotton, complimentary squares.**

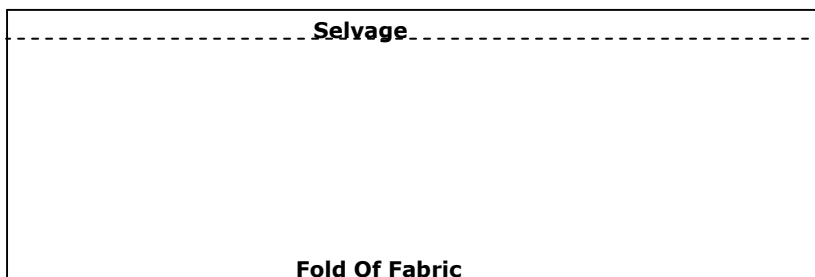


**Directions:**

- 1. Open up valance (54" wide piece) lengthwise. (There is no need to cut off selvage at top). Sew 1/2" double hems down each side. (Right side inwards)**

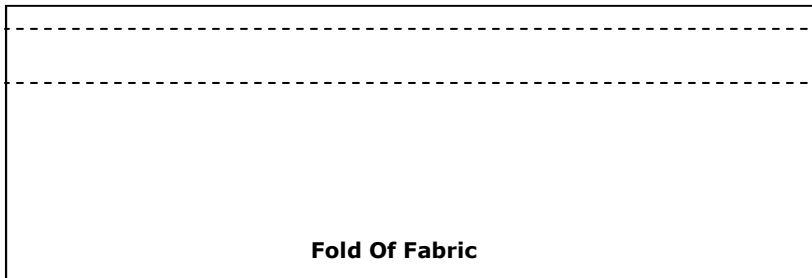


- 2. Fold valance together with selvage at top, right sides of fabric facing each other. Sew a 1/2" hem across both raw edges at top of curtain, joining the two sides into a tube. Turn right side out. Press seam to a point.**



**3. Curtain Casing:**

With fold of valance to the left of the machine, sew a seam  $3\frac{1}{4}$ " below the top seam, parallel to it. (Either side of the valance is now the right side of fabric).

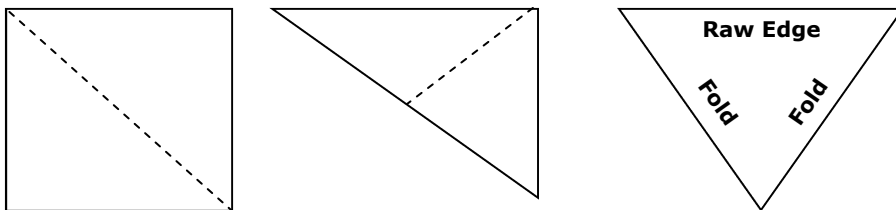


**4. Place the fold of valance fabric lengthwise on the ironing board, so that you have room to work.**

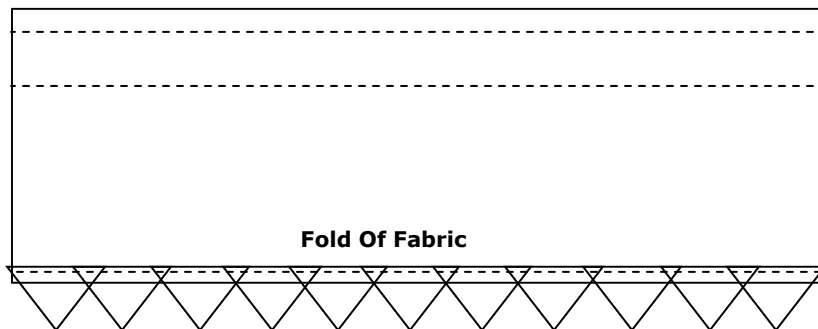
**5. Pick up  $6\frac{1}{2}$ " squares (13).**

**Note: These will not be sewn prior to placing them onto the fold of the valance fabric.**

**\*To make a Prairie Point, fold square in half, then in half again.**



**6. Fold Prairie Points as instructed above, and pin in place across the fold of the valance, overlapping Prairie Points about  $1\frac{1}{2}$ ". Space them equally apart– keep working with your fingers and pins until they are nicely spaced across the width of the bottom of the valance.**



**7. Sew a hem across the top edge of Prairie Points,  $\frac{1}{4}$ " from the raw edges of the Prairie Points. Remove all pins.**

**Turn over to hang, with the hem of Prairie Points facing toward the blinds.**